

# 300.9D

Mini Hydraulic Excavator



#### Engine

Gross Power (ISO 14396)

13.7 kW

18 hp

Net Power

9.6 kW

13 hp

#### Weight

Operating weight without Safety frame

935 kg

2,061 lb

Operating weight with Safety frame

985 kg

2,170 lb



# Compact Dimensions

Easy site access



## Compact Dimensions

With an overall width of only 730 mm (2 ft 5 in) the Cat® 300.9D can easily drive through narrow passages and doors. Both indoor and outdoor jobs are now accessible with the under 1000 kg (2,205 lb) weight making easy trailer transportation between sites possible.



## Extending Undercarriage and Blade

An extending undercarriage and fold out dozer blade allow the machine to be configured for excellent working stability and optimum performance. Easy retraction, controlled from the operator's seat, enables the machine to pass through narrow openings.



## Foldable Safety Frame

A protective ROPS safety frame structure mounted on the front of the machine allows fitting of a guard for extra operator protection during hammer use. The structure folds down in a few seconds for easy machine transportation and storage.

# Performance and Durability

Powerful performance, Robust construction, Work tool ready

## Powerful Engine and Hydraulics

The 13.7 kW (18 hp) engine and perfectly matched hydraulics provide efficient, economical and reliable performance for the toughest of jobs. The matched cooling system is designed to accommodate working within confined areas and also the powerful Cat® hammer.

Low noise and vibration levels deliver comfortable operation.



## Hose and Cylinder Protection

Bucket hoses are well protected within the boom and the cylinder is mounted above the structure to increase the machine's durability for working in tough environments. The clean lines of the front linkage also provide excellent visibility to the digging area.



## Auxiliary Hydraulics as Standard

The 300.9D is fitted with auxiliary lines for hammer operation routed down to the stick. Locating the connecting point close to the work tool reduces connecting hose lengths and potential for damage.





# User Friendly Operation

Simple controls – Easily maintained



## Simple Controls (Ease of Use)

The operator area is spacious and laid out to provide comfort and ease of operation. Smooth, precision operation of functions is possible from independent controls allowing all skill levels to be productive with little practice.



## Extending Dozer Blade

Blade extensions simply rotate and lock into position allowing the machine to be quickly configured for narrow width or maximum blade coverage.

Locking pins and extension plates are retained with the machine to reduce potential for lost or damaged components.



## Serviceability

Service and maintenance time is reduced to a minimum with a simple to open steel engine cover and all maintenance and greasing points easily accessible.

# Customer Support

Low operating costs with excellent services and options

## Customer Support

Product supported through the Cat dealer and worldwide parts network aimed at minimizing downtime.

- Finance options
- Warranty options
- Maintenance contracts
- Help and advice in product and option selection to maximize efficiency and operating profitability



## Work Tools

A range of tools is available to take advantage of the machine's versatility. All tools are matched to the machine to optimize performance and deliver excellent value through high productivity and long life.



# Specifications

| Operational Data                      |        |           |
|---------------------------------------|--------|-----------|
| Operating weight without Safety frame | 935 kg | 2,060 lb  |
| Operating weight with Safety frame    | 985 kg | 2,170 lb  |
| Digging force – Stick                 | 4.5 kN | 1,011 lbf |
| Digging force – Bucket                | 8.9 kN | 2,000 lbf |

| Engine                |   |
|-----------------------|---|
| Make/type             | Yanmar 31NV70                               |
| Type                  | Water cooled model 3-cylinder diesel engine |
| Maximum engine output | 13.7 kW 18 hp                               |
| Flywheel output ISO   | 9.6 kW 13 hp                                |
| Displacement          | 854 cm <sup>3</sup> 52 in <sup>3</sup>      |
| Rated speed           | 2,100 rpm                                   |
| Battery               | 12 V, 20 Amp                                |
| Diesel tank volume    | 10 L 2.64 gal                               |

| Hydraulic System                                      |                                   |           |
|---|-----------------------------------|-----------|
| Pumps   | 2 gear pumps                      |           |
| Discharge capacity                                    | 11.4 + 11.4 L/min (3 + 3 gal/min) |           |
| Operating pressure for the work and travel hydraulics | 170 bar 2,466 psi                 |           |
| Operating pressure pivot                              | 70 bar                            | 1,015 psi |
| Hydraulic tank capacity                               | 14 L                              | 3.7 gal   |

| Chassis and Swivel Gear    |                                 |  |
|----------------------------|---------------------------------|--|
| Travel speed               | 1.8 km/h 1.12 mph               |  |
| Gradeability               | 30°/58%                         |  |
| Track width                | 180 mm 7 in                     |  |
| Number of rollers per side | 2                               |  |
| Ground clearance           | 127 mm 5 in                     |  |
| Ground pressure            | 0.25 kg/cm <sup>2</sup> 3.5 psi |  |
| Machine swing speed        | 8 rpm                           |  |

| Operating Specifications |        |         |
|--------------------------|--------|---------|
| Stick Length – Standard  | 890 mm | 34.8 in |
| Machine Overhang         | 318 mm | 12.5 in |

| Dozer Blade |              |
|-------------|--------------|
| Width       | 700 mm 28 in |
| Height      | 200 mm 8 in  |
| Lift height | 197 mm 8 in  |
| Dig depth   | 174 mm 7 in  |

| Noise Emissions                         |          |
|---|----------|
| Sound power level (LWA) (to 2000/14/EG) | 93 dB(A) |

| Lift Force – Standard Stick |               |               |               |               |
|-----------------------------|---------------|---------------|---------------|---------------|
| B                           | A             |               |               |               |
|                             | 2.0 m (79 in) | 2.5 m (98 in) | 2.0 m (79 in) | 2.5 m (98 in) |
|                             | lengthways    |               | crossways     |               |
| 1.0 m (39 in)               | 242 (534)     | 204 (450)     | 176 (388)     | 125 (276)     |
| 0.5 m (20 in)               | 272 (600)     | 203 (448)     | 169 (373)     | 122 (269)     |

A = distance from machine center of rotation

B = load stop height from ground level

- The data [in kg (lb)] is without the excavation tools and is ISO 10567 compliant. Lengthways data with dozer blade support. Neither 75% of the static tipping load, nor 87% of the hydraulic lift forces, are extended.

## Standard Equipment

Standard equipment may vary. Consult your Cat dealer for details.

Adjustable vinyl seat  
Auxiliary hydraulic circuit, with one-way (hammer) lines to stick

Boom mounted work light  
Dozer blade, with side extensions  
Ecology drain for hydraulic tank

Hydraulic extending undercarriage  
Retractable seatbelt  
Rubber belt track, 180 mm (7 in) wide

## Optional Equipment

Optional equipment may vary. Consult your Cat dealer for details.

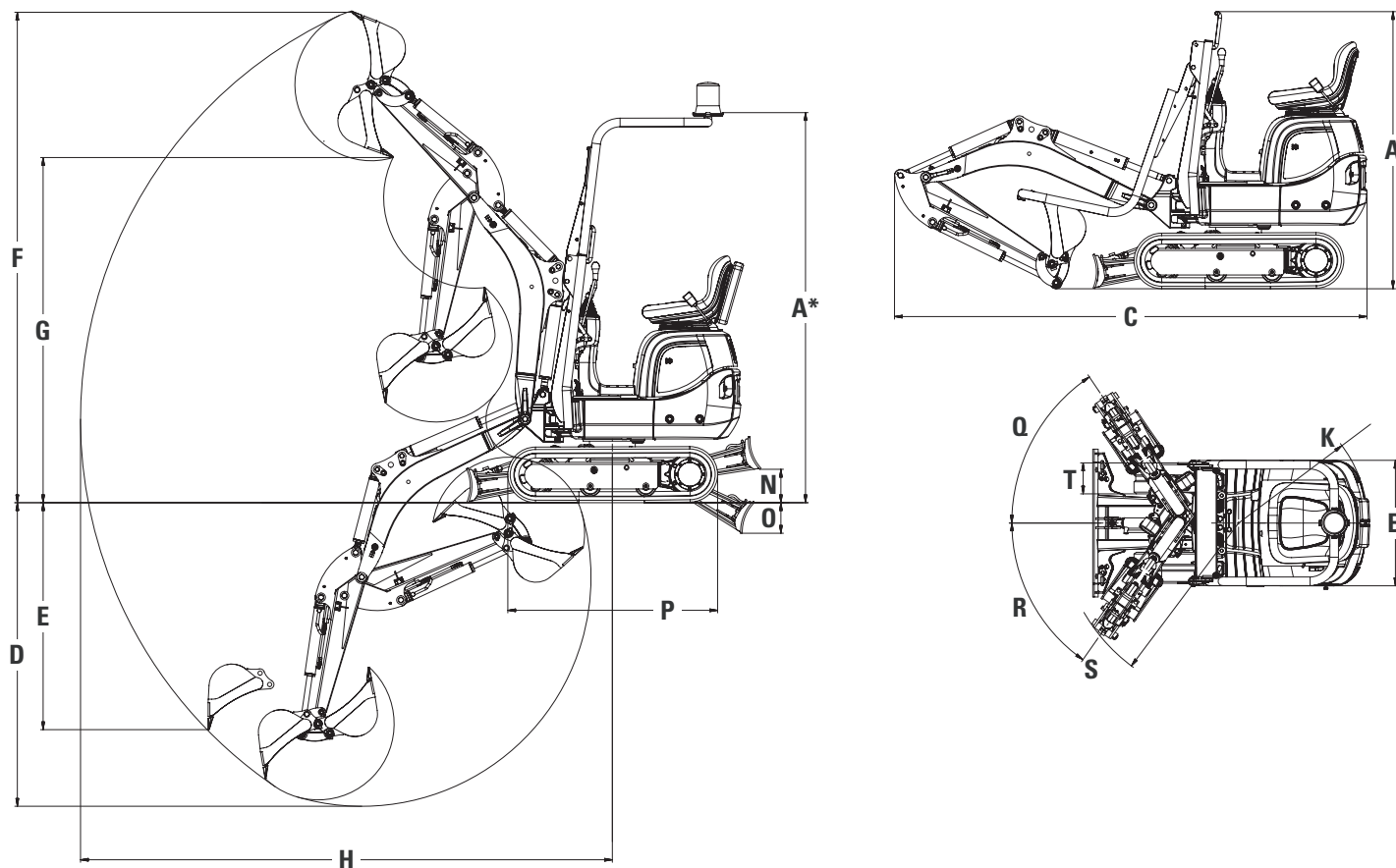
2 way (auger) auxiliary lines to the stick  
Bio oil  
Buckets: 250 mm (10 in); 350 mm (15 in); 700 mm (2 ft 4 in)

Custom color paint  
Front guard  
Hammer

Rotating beacon

## Dimensions

All dimensions are approximate



|           |                                    |         |            |
|-----------|------------------------------------|---------|------------|
| <b>A</b>  | Height                             | 1507 mm | 4 ft 11 in |
| <b>A*</b> | Height                             | 2276 mm | 7 ft 6 in  |
| <b>B</b>  | Width                              | 730 mm  | 2 ft 5 in  |
|           | Undercarriage width – Retracted    | 711 mm  | 2 ft 4 in  |
|           | Undercarriage width – Extended     | 864 mm  | 2 ft 8 in  |
| <b>C</b>  | Transport length (arm lowered)     | 2746 mm | 9 ft 0 in  |
| <b>D</b>  | Maximum digging depth              | 1731 mm | 5 ft 8 in  |
| <b>E</b>  | Maximum vertical dig depth         | 1349 mm | 4 ft 5 in  |
| <b>F</b>  | Maximum dig height                 | 2863 mm | 9 ft 5 in  |
| <b>G</b>  | Maximum dump height                | 2035 mm | 6 ft 8 in  |
| <b>H</b>  | Maximum reach                      | 3074 mm | 10 ft 1 in |
|           | Maximum reach at ground level      | 3023 mm | 9 ft 11 in |
| <b>K</b>  | Tail swing radius                  | 736 mm  | 2 ft 4 in  |
| <b>N</b>  | Maximum dozer lift height          | 197 mm  | 8 in       |
| <b>O</b>  | Maximum dozer dig depth            | 174 mm  | 7 in       |
| <b>P</b>  | Length of undercarriage            | 1220 mm | 4 ft 0 in  |
| <b>Q</b>  | Boom swing angle (Right)           |         | 56°        |
| <b>R</b>  | Boom swing angle (Left)            |         | 55°        |
| <b>S</b>  | Minimum front linkage swing radius | 1150 mm | 3 ft 9 in  |
| <b>T</b>  | Track width                        | 180 mm  | 7 in       |

For more complete information on Cat products, dealer services, and industry solutions, visit us on the web at [www.cat.com](http://www.cat.com)

AEHQ6160-02 (06-2014)  
Replaces AEHQ6160-01

© 2014 Caterpillar  
All rights reserved

Materials and specifications are subject to change without notice. Featured machines in photos may include additional equipment. See your Cat dealer for available options.

CAT, CATERPILLAR, SAFETY.CAT.COM, their respective logos, "Caterpillar Yellow" and the "Power Edge" trade dress, as well as corporate and product identity used herein, are trademarks of Caterpillar and may not be used without permission.

